



DYNAMIC

The only thinline style blade offered by any manufacturer (36" X 48" at 4,000 fpm velocity) – the VFD-10D-TL.

CURTAIN FIRE DAMPERS

The worlds largest dynamic horizontal curtain fire damper – the VFD-10D.

When exceptional performance and cost-savings on the job are equally important, Pottorff VFD-10D dynamic curtain fire dampers beat the competition every time! Pottorff is a leading manufacturer of louvers and dampers with over 80 years of experience in the HVAC industry.

5 year warranty
all products



POTTORFF®

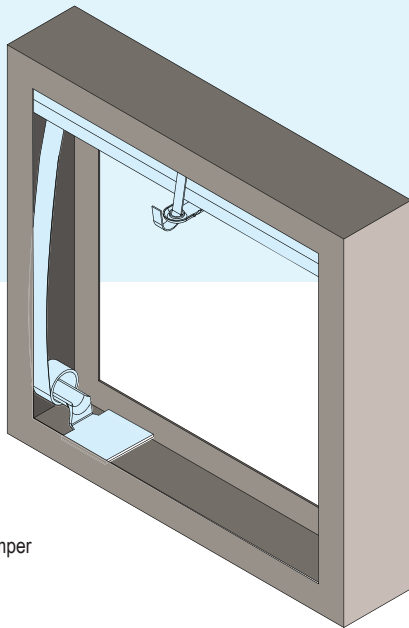
Visit www.pottorff.com for more information.

BEST IN CLASS

VFD-10D-TL

The only manufacturer with a thinline style blade
36" x 48" at 4,000 fpm velocity

When you need a thin line damper in a dynamically rated system the VFD-10D-TL is the damper of choice.



model **VFD-10D-TL**
Thin Line Dynamic Fire Damper
2" deep • 37-1/2°

Application

The VFD-10D-TLA fire damper employs curtain style blades for point-of-origin control of fire in static and dynamic HVAC systems. The VFD-10D-TLA is qualified to 4,000 ft/min (20.3 m/s) and 4 in.wg. (1.0 kPa) and may be installed in vertical walls or partitions, or horizontally in floors or assemblies with fire resistance ratings up to 2 hours.

Ratings

UL 555 Fire Resistance Rating: 1½ hour (vertical)

UL HNLJ.V-5: Ventilation Duct Assemblies

Maximum Dynamic Closure Velocity: 4,000 fpm (20.3 m/s)
2,000 fpm (10.2 m/s)

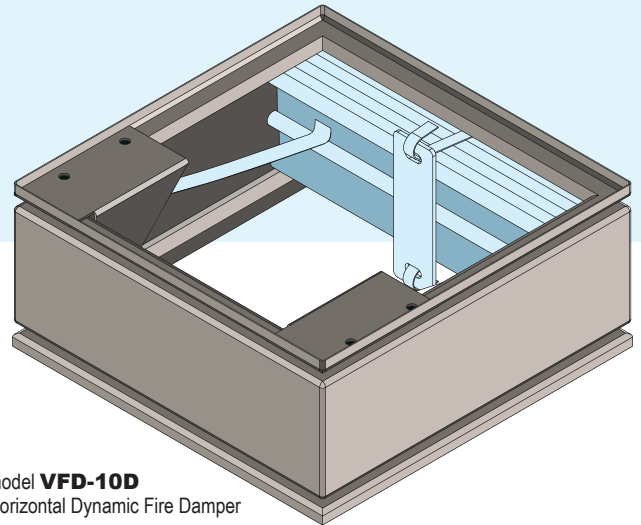
Maximum UL555S Rated Pressure: 4 in.wg. (1.0 kPa)

BEST IN CLASS

VFD-10D

Pottorff Designed the Largest Dynamic
Horizontal Curtain Fire Damper in the Industry.

When exceptional performance and cost-savings on the job are equally important, the Pottorff VFD-10D curtain Fire Damper surpasses the competition with the largest single section for both vertical and horizontal applications. Pottorff is the ONLY manufacturer with a UL listed horizontal mount curtain fire damper at 4,000 fpm velocity.



model **VFD-10D**
Horizontal Dynamic Fire Damper

Application

The VFD-10D fire damper employs curtain style blades for point-of-origin control of fire in static and dynamic HVAC systems. The VFD-10D-A is qualified to 4,000 ft/min (20.3 m/s) and 4 in.wg. (1.0 kPa) and may be installed in vertical walls or partitions, or horizontally in floors or assemblies with fire resistance ratings up to 2 hours.

Ratings

UL 555 Fire Resistance Rating: 1½ hour (vertical)

UL HNLJ.V-5: Ventilation Duct Assemblies

Maximum Dynamic Closure Velocity: 4,000 fpm (20.3 m/s)
2,000 fpm (10.2 m/s)

Maximum UL555S Rated Pressure: 4 in.wg. (1.0 kPa)

Superior performance, quality products, innovative solutions, and unparalleled service are what differentiate Pottorff among the competition.